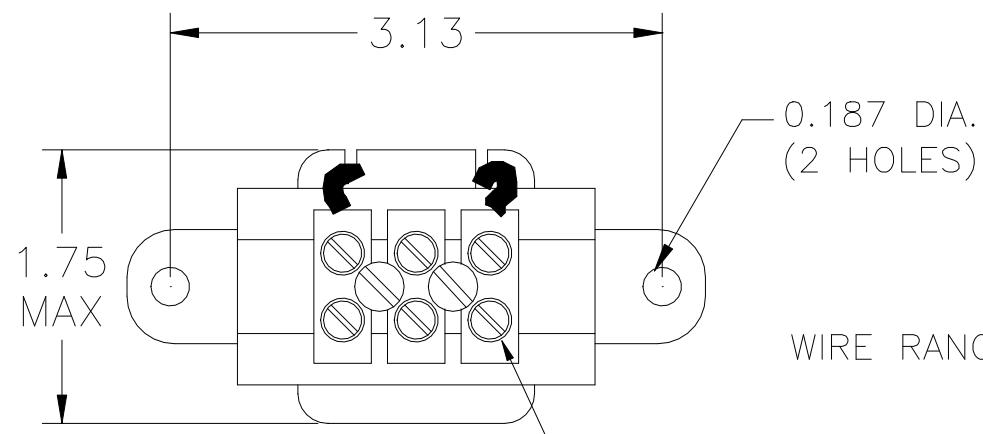


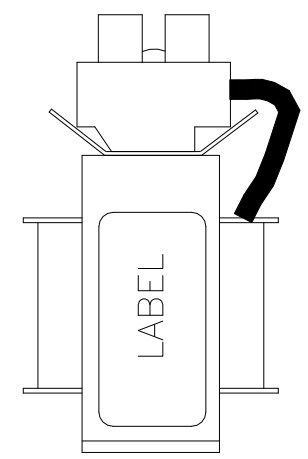
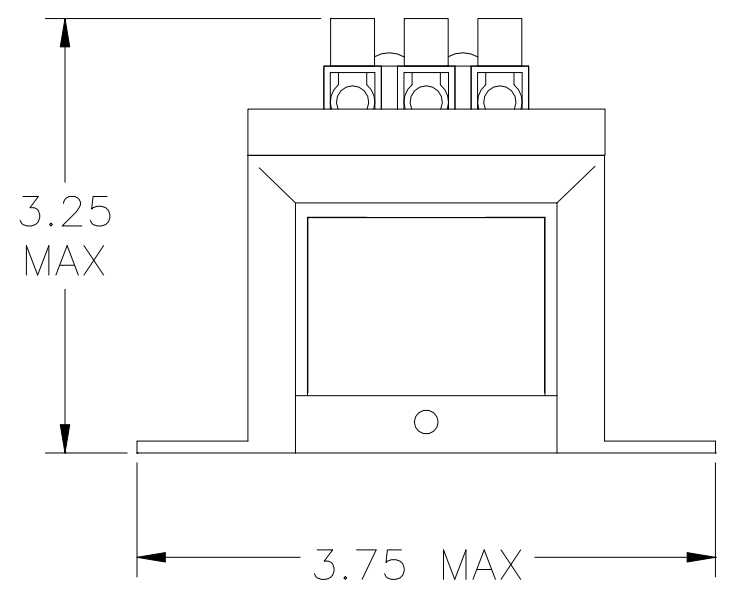
INDUCTANCE	LOSSES	WEIGHT
80 mH	4 Watts	1 Lbs

NO.	CHANGE DESCRIPTION	BY	DATE	C'K'D
04.	REVISED PER ECR 7175, ADDED CD	RS	8/23/10	

FILE:



CAUTION-TERMINAL SCREW TIGHTENING TORQUE: 4.50 in-lb MAX.



UNLESS OTHERWISE SPECIFIED, DIMENSIONS ARE IN INCHES [mm] AND TOLERANCES ARE:

DECI.                      FRAC.

ANGLES                      DRILLED HOLES

PART NAME:	DC LINK CHOKE
DESCRIPTION:	OUTLINE DIMENSION
FINISH:	

MTE CORPORATION MEMONONEE FALLS, WISCONSIN			
CD 1RB003			REV. 04
SCALE	NTS	DATE 07/03/96	C'K'D
REF.	DR. BY	CEL	APP'D